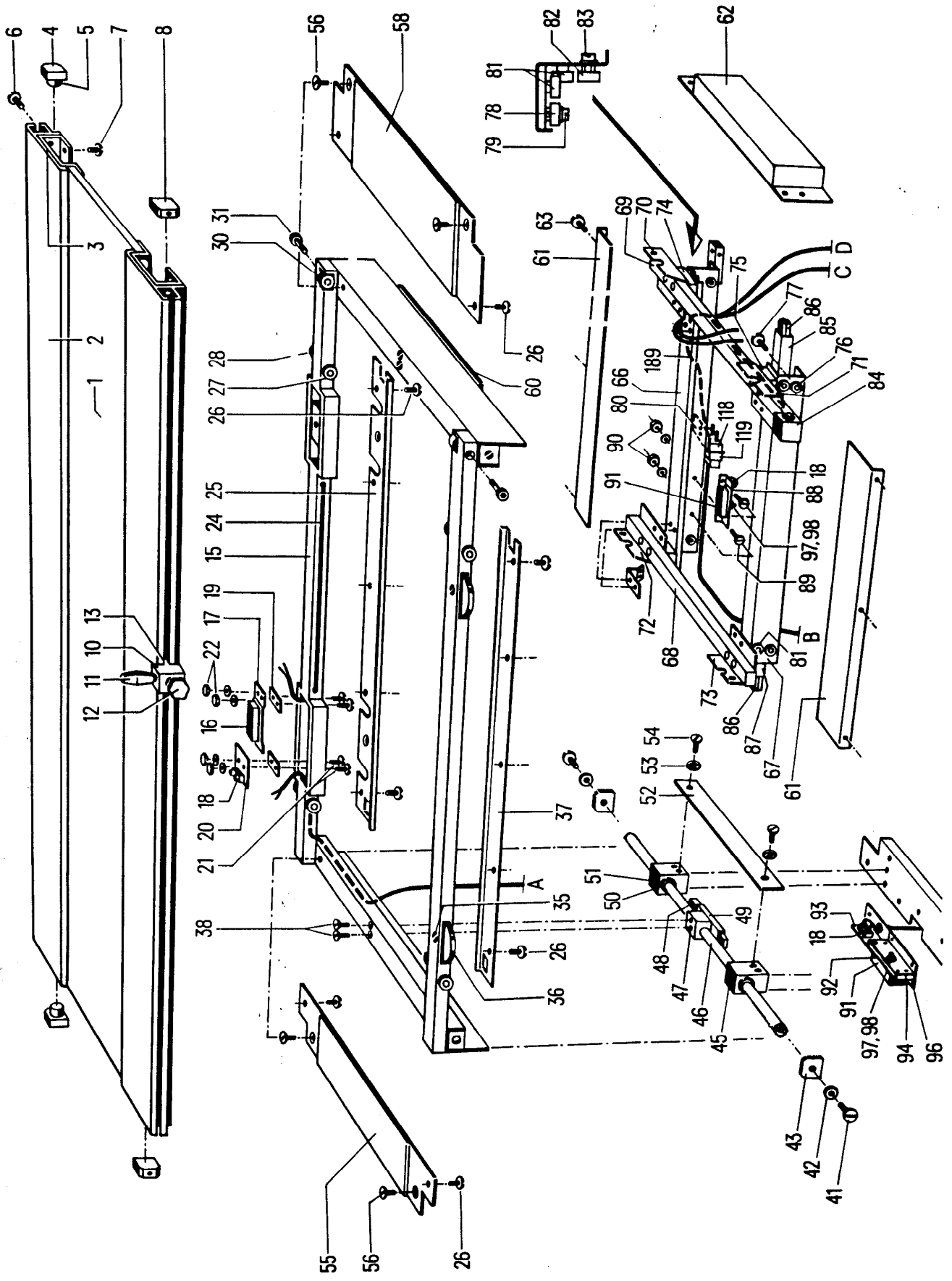
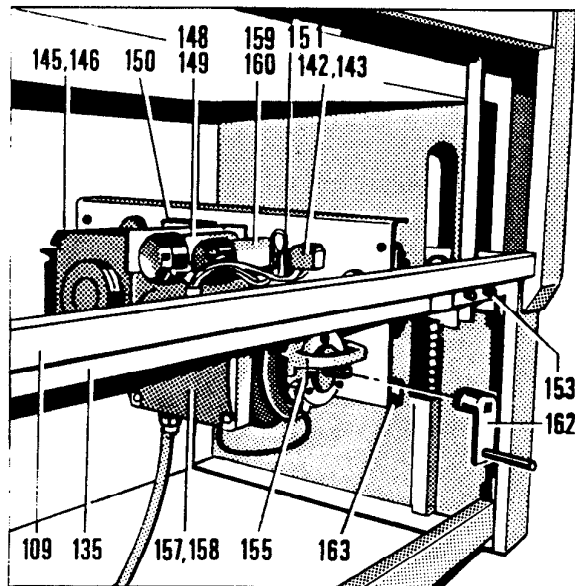
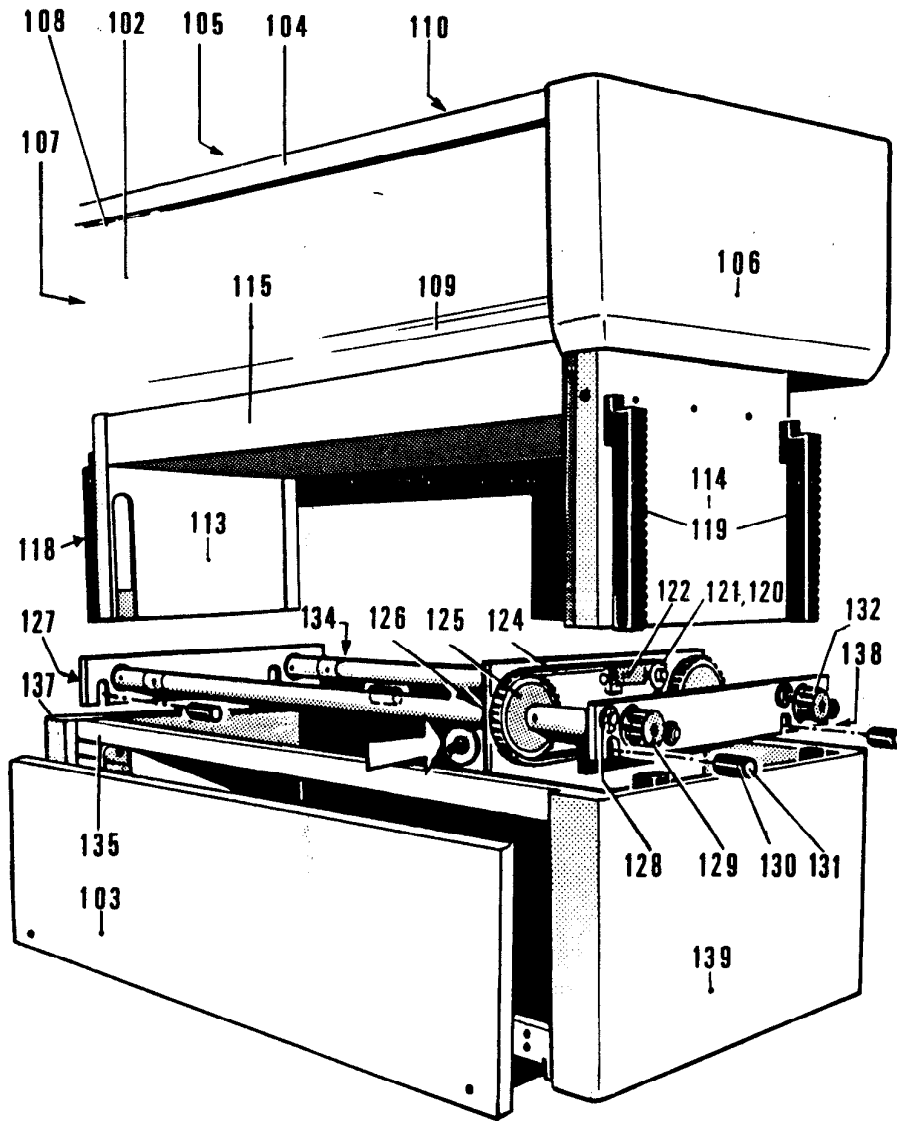


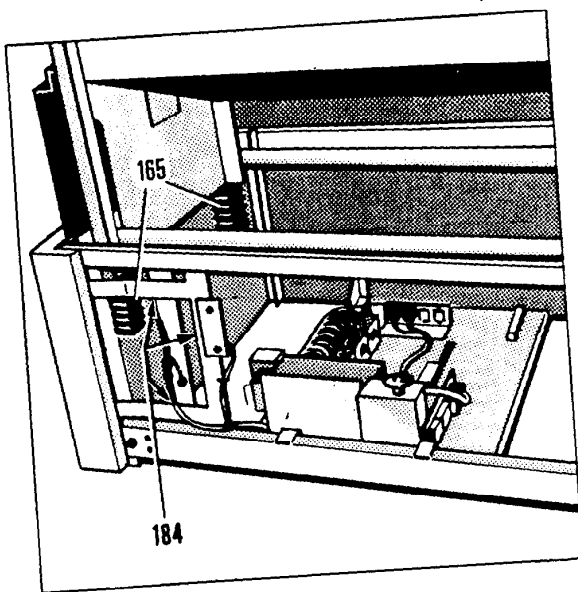
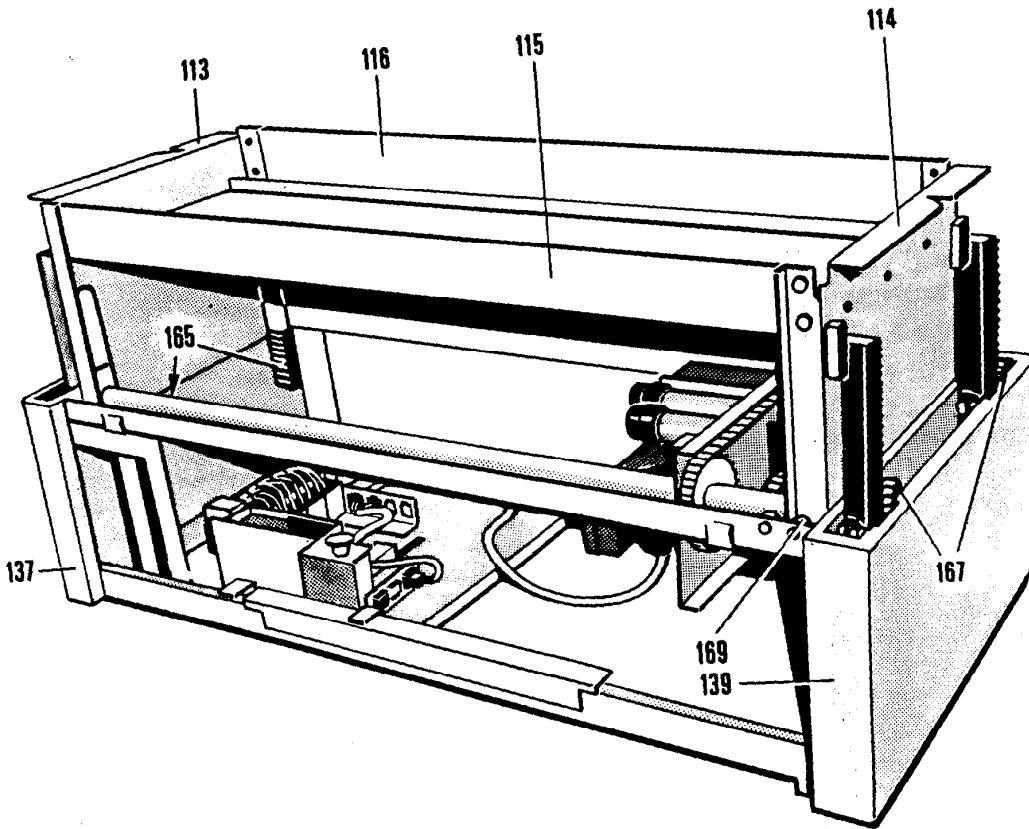
4.3 Spare Parts



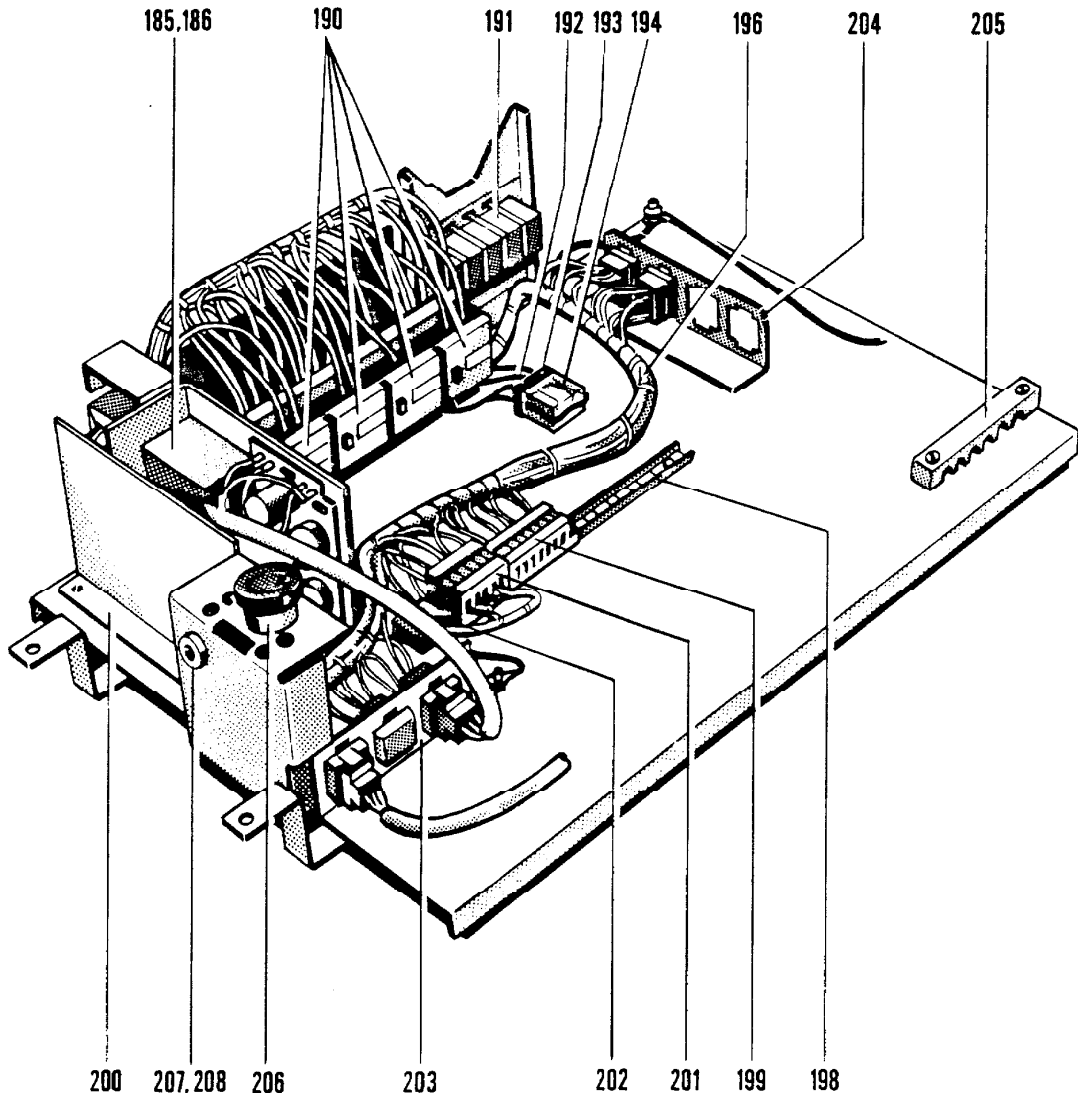
4.3.1 Spare Parts



4.3.2 Spare Parts



4.3.3 Spare Parts



4.3.4 Spare Part List

NOTE:

Defective parts must only be replaced by genuine spare parts as listed below. For shipment of spare parts, always specify serial number of equipment and full ordering number(s).

Parts or part assemblies may only be replaced by the manufacturer or parties expressly authorized. See also chapter on "Safety Procedures".

Item	Designation	Ordering No.
1	Table top	622 548
2	Profile rail	622 549
3	Frame	622 541
4	Stop	622 550a
5	Bumper	005 164g
6	Flat head screw M4x16	DIN 963
7	Flat head screw M4x10	DIN 963
8	Stop	622 550b
9		
10	Guide block	903 021
11	Handle	008 076
12	Hand knob	930 038
13	Clamp part	903 026
14		
15	Frame	622 501
16	Magnet	622 530
17	Spring	622 531
18	Clamp strip	006 042
19	Shim	622 532
20	Clamp base	622 533
21	Flat head screw M4x12	DIN 963
22	Nut M4	DIN 934
23		
24	Cable	622 506
25	Cover	622 520a
26	Flat head screw M4x8	DIN 963
27	Bearing with bushing	622 556
28	Bearing with eccentric	622 555
29		
30	Bearing with bushing	622 557

Item	Designation	Ordering No.
31	Flat head screw M4x8	DIN 963
32		
33		
34		
35	Shaft	622 515
36	Plastic roller	622 514
37	Cover	622 520b
38	Allan flat head screw M6x16	DIN 7991
39		
40		
41	Flat head screw M5x16	DIN 964
42	Washer 5.3	005 117
43	Cover	622 135
44		
45	Bearing block	622 085
46	Guide shaft	622 528
47	Bearing block	622 522b
48	Bumper	622 534a
49	Bumper housing	622 133
50	Bearing	LBAR20
51	Snap ring 32x1.5	DIN 471
52	Plate	622 087
53	Washer 4.3	005 117
54	Flat head screw M4x10	DIN 963
55	Cover	622 523
56	Flat head screw M4x5	DIN 963
57		
58	Cover	622 526
59	Bridge	627 170a
60	Bridge	627 170b
61	Lid (LF)	622 121
62	Cover	622 199
63		
64		
65		
66	Angle piece	622 102
67	Angle	622 108
68	Carriage	622 111b
69	Carriage	622 110
70	Angle	622 114b
71	Angle	622 113b
72	Angle	622 114a
73	Angle	622 113a
74	Pad	622 552a
75	Pad	622 553a
76	Bearing with eccentric	622 558
77	Allan screw M8x20	DIN 912
78	Bearing with eccentric	622 559
79	Allan Screw M6x25	DIN 912
80	Angle	627 185

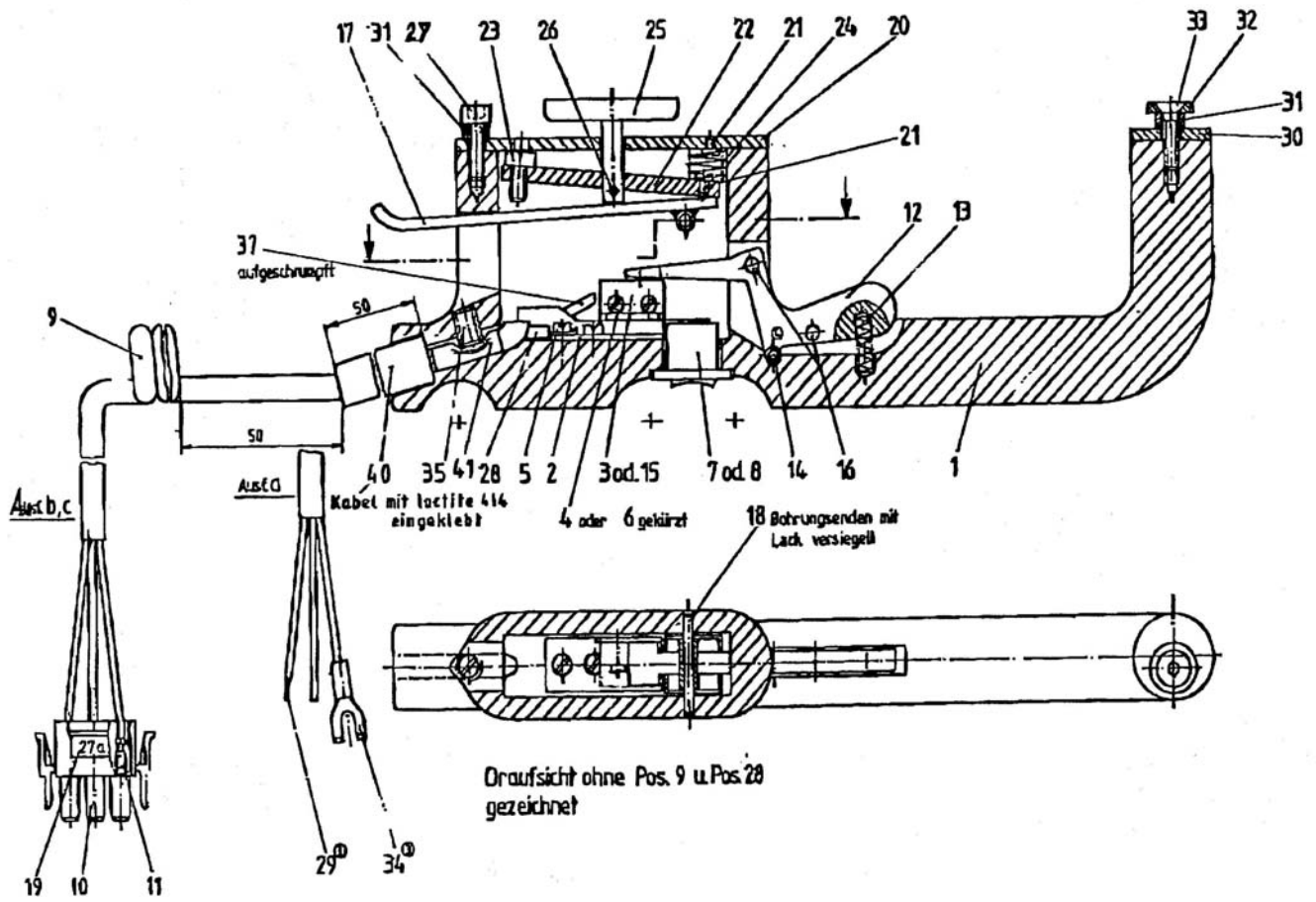
Item	Designation	Ordering No.
81	Bearing	6001-2Z
82	Bearing with eccentric	622 558
83	Allan screw M8x20	DIN 912
84	Push button	006 084b
85	Guide tube	622 118a
86	Buffer	627 187
87	Guide tube	622 118b
88	Angle	622 105
89	Flat head screw M5x12	DIN 85
90	Nut M5	DIN 934
91	Magnet	105 148
92	Spring	105 153
93	Clamp part	622 081a
94	Holder	105 155
95	Mounting strip left	627 189a
96	Mounting strip right	627 189b
97	Nut M4	DIN 934
98	Set screw M4x16	DIN 551
99	Clamp part	622 081a
100		
101		
102	Cover Panel, Front	627 165
103	Cover Panel, Front	627 033
104	Bridge, Front	627 153
105	Bridge, Rear	627 156
106	Outer Side Panel	627 151a
107	Outer Side Panel	627 151b
108	Cover Strip	627 163
109	Bridge, Front	627 161
110	Rear cover	627 160
111		
112		
113	Inner Side Panel	627 129b
114	Inner Side Panel	627 129a
115	Trough	627 134
116	Connecting Bar	627 136
117		
118	Toothed Rack	627 137a
119	Toothed Rack	627 137b
120	Sprocket	627 112
121	Track-connecting tool	627 107
122	Screw M8x40	DIN 912
123		
124	Chain	005 133a
125	Ball Bearing	16006
126	Sprocket disk	627 099
127	Gear Shaft	627 103
128	Bearing with Eccentric Bushing	627 119
129	Gear Shaft	627 102
130	Bushing	627 140
131	Screw M8x40	DIN 912
132	Guide washer	627 104b

Item	Designation	Ordering No.
133		
134	Cable Protection Cover	627 125
135	Bridge, Front	627 028
136		
137	Side Panel	627 021a
138	Cover Panel, Rear	627 027
139	Side Panel	627 021b
140		
141		
142	One-Way Rectifier (220 V)	006 230a
143	Bridge Rectifier (117 V)	006 230b
144		
145	Drive Motor (220 V) complete	627 460
146	Drive Motor (117 V) complete	627 465
147		
148	Start capacitor (220 V)	006 218b
149	Start capacitor (117 V)	006 218c
150	Bracket	627 113
151	Resistor	006 295
152		
153	Screw M8x30	DIN 912
154		
155	Brake Magnet Housing	006 350
156		
157	Klixon Relay (117 V)	006 223a
158	Klixon Relay (220 V)	006 223a
159	Capacitor (220 V)	006 219b
160	Capacitor (117 V)	006 219c
161		
162	Crank Handle	627 355
163	Dowel pin	8 x 50
164		
165	Toothed Rack	627 032a
166		
167	Toothed Rack	627 032b
168		
169	Eccentric Bushing, complete	627 034
170		
171		
172		
173		
174		
175		
176		
177		
178		
179		
180		
181		
182		
183		

Item	Designation	Ordering No.
184	Switch	006 001
185	Transformer (220 V)	006 046a
186	Low Voltage Supply (117 V)	109 080
187		
188		
189		
190	Switch Contactor	006 186b
191	Relay Board	109 035
192	Angle	627 063
193	Relay Base	006 057
194	Relay	006 229
195		
196	Harness	627 061
197		
198	Standard Bar	006 104
199	Cable tie	006 102
200	Cover (for 117 V only)	627 213
201	Cable tie	006 173
202	Protective Ground Clamp	006 112
203	Plug Angle	627 065
204	Plug Angle	627 058
205	Cable Clamp	627 076
206	Service Switch	006 260
207	Safety Switch	006 144
208	Cap for 5x20	006 152a
208a	Cap for 6,3x32	006 152b
209		
210		
211		
212	Control Handle complete	109 350b
213	Toggle Switch	006 182b
214	Switch	006 226
215	Flexible Cord	006 225
216	Clamping Piece	109 355
217	Compressing Spring	109 365
218	Lever	109 358
219	Switch lever	109 353
220	Compression Spring	005 042
221		
222		
223		

Spare Parts List

Hand Control 0109 0350C



Item	Description	Order Number	Qt
1	Control Handle Complete	0109 0350C	
—	Control Handle Rebuild Kit	0109 0901	
<i>Rebuild Kit Parts List</i>			
7	Toggle switch	0006 0182b	(1)
9	Cord	0006 0225	(1)
10	Connector	0006 0211d	(1)
11	Connector pin	350547-1	(12)
13	Spring	0005 0042n	(1)
15	Micro switch	0006 0294	(2)
31	Bushing	0109 0364	(2)
40	Strain relief	0006 0521a	(1)

Spare Parts List

Hand Control 0109 0350C

Item	Description	Order Number
7	Toggle switch	0006 0182b
8		
9	Cord	0006 0225
10	Connector	0006 0211d
11	Connector pin	350547-1
12	Switch Lever	0109 0353
13	Spring	0005 0042n
14	Screw	0109 0732
15	Micro switch	0006 0294
16	Nylon spacer for (trigger 0109 0353)	0109 0366
17	Lever	0109 0358
18	Pin M3 x 30	DIN 7
19		
20		
21	Pin M3 x 4	DIN 85
22		
23		
24	Spring	0109 0365
25	Clamping piece	0109 0355
26	Roll pin M2 x 10	DIN 1481
27	Screw M5 x 16	DIN 912
28		
29		
30	Washer	0109 0363
31	Bushing	0109 0364
32	Countersunk washer	0005 0017c
33	Screw M5 x 16	DIN 7991
34		
35	Screw M8 x 14	DIN 551
36		
37		
38		
39		
40	Strain relief	0006 0521a