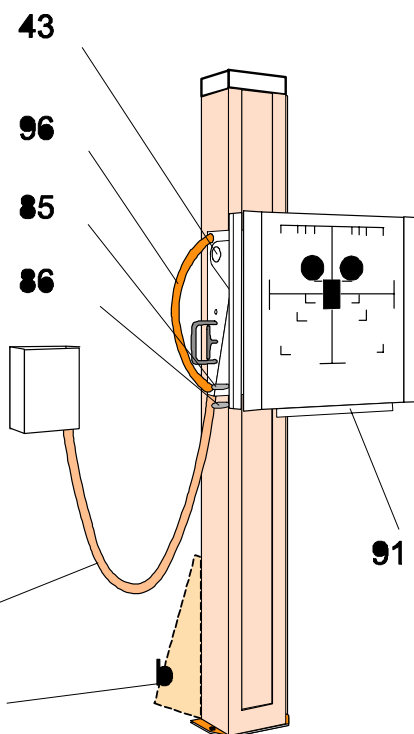
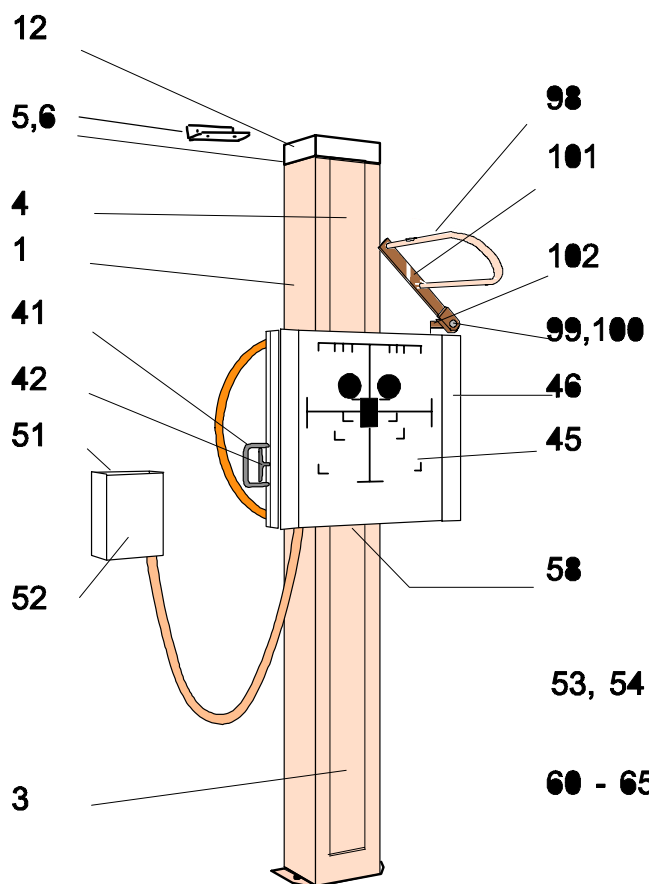
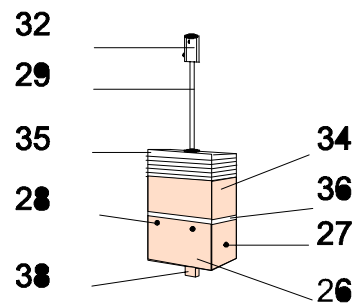
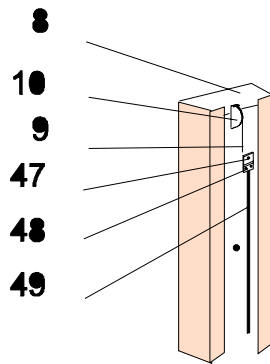
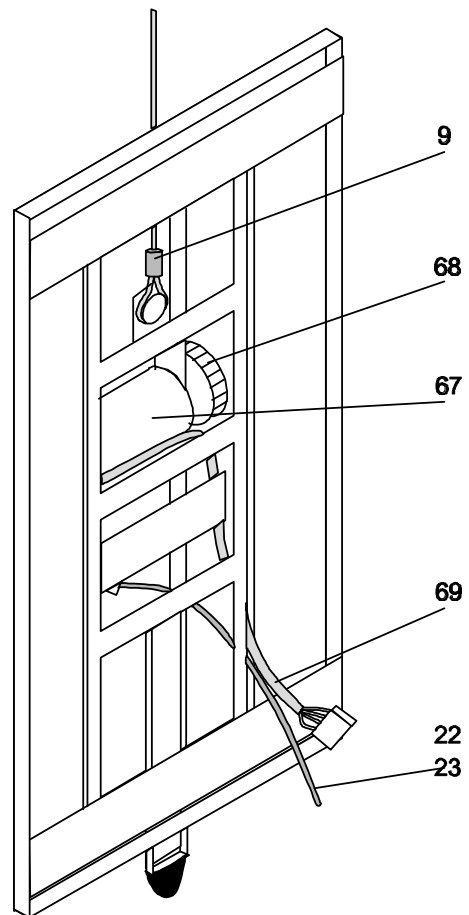
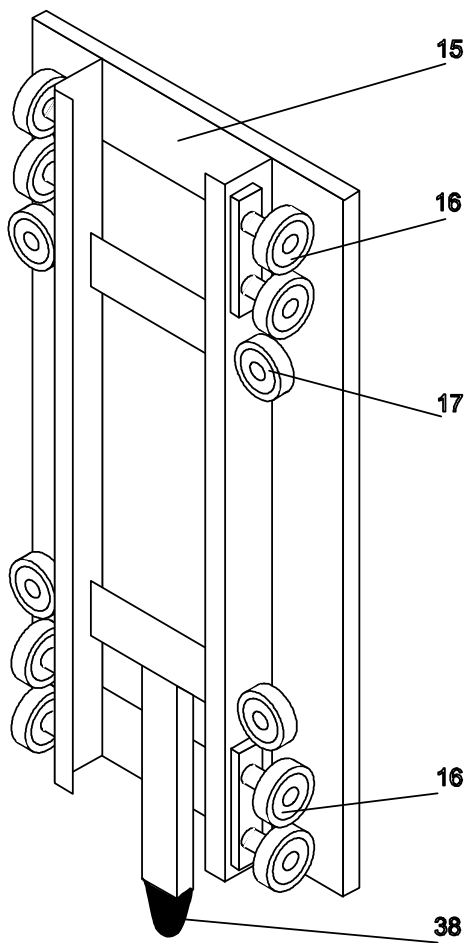
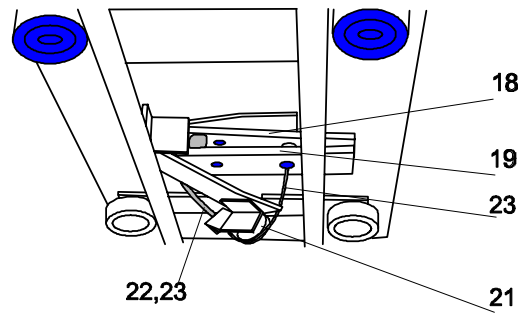
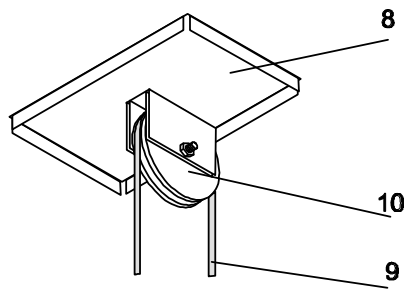


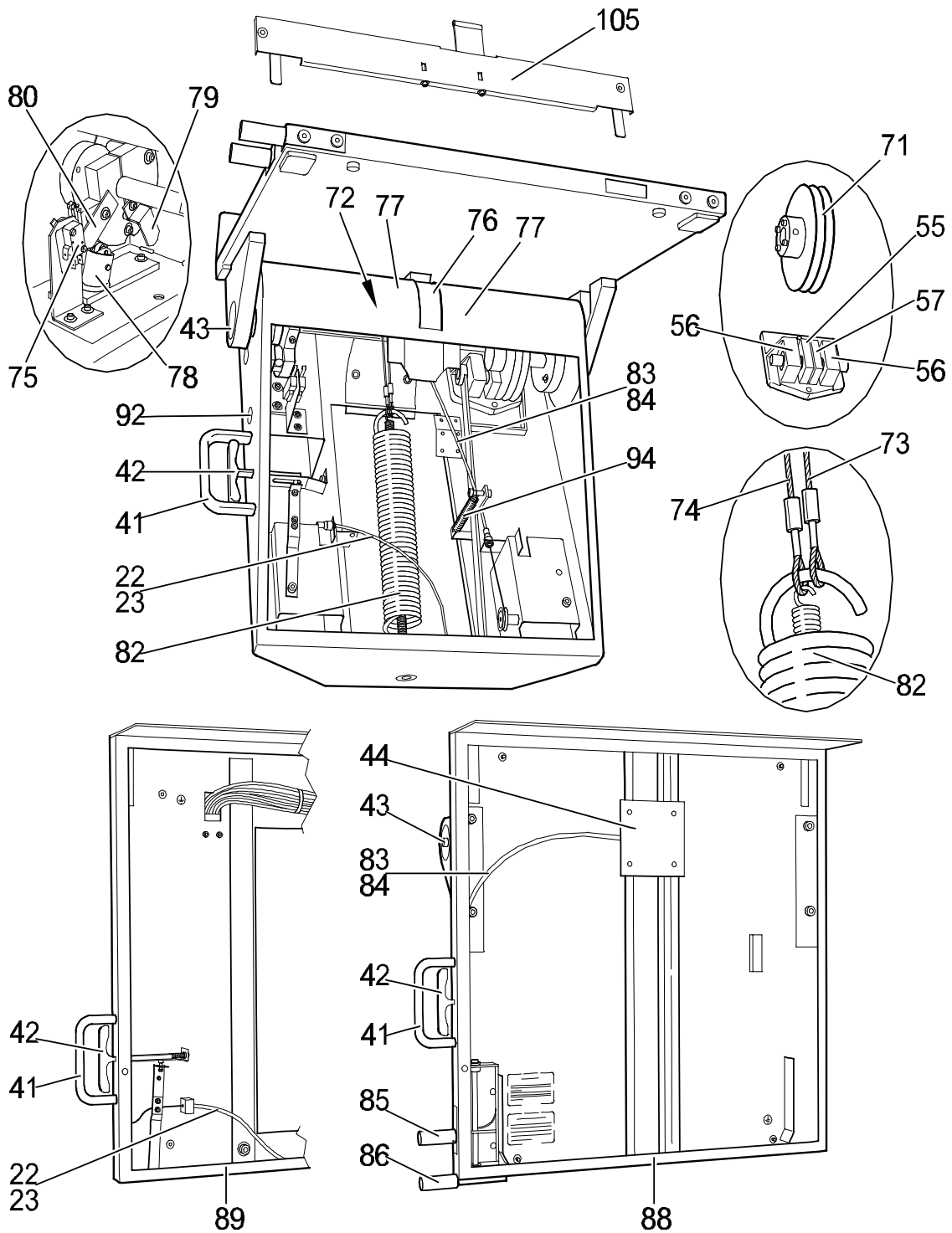
## 5.2.1 Spareparts



## 5.2.2 Spareparts



### 5.2.3 Spareparts



### 5.3 Spareparts List

Part names / Ordering numbers

**Note:**

Failed spare parts may only be replaced with original parts listed below. When ordering parts always indicate serial number of unit and complete number of parts.

The exchange of parts or components may only be carried out by yourself or by qualified personnel being authorised to do so.

See also chapter: "Safety Notes".

Item	Designation	Order No.
1	Column weld	0370 0120
2		
3	Cover	0370 0138
4	Cover	0370 0142
5	Column fastening angle	0370 0167
6	Wall fastening angle	0370 0168
7		
8	Head piece weld	0370 0183
9	Rope	0370 0189
10	Rope roller complete	0370 0191
11		
12	Head cover weld	0370 0210
13		
14		
15	Vertical carrier	0370 0300
16	Pair of roller	0370 0315
17	Roller	0370 0321
18	Brake lever complete	0370 0342a
19	Brake lever complete	0370 0342b
20		
21	Roller	0370 0357
22	Sheath	0370 0367
23	Brake rope	0370 0368
24		
25		
26	Vertical counterweight	0370 0511
27	Glide block	0370 0512a
28	Glide block	0370 0512b
29	Counterweight	0370 0514
30		
31		
32	Rope holder	0370 0515
33		
34	Counterweight block	0370 0520
35	Counterweight plate	0370 0528a
36	Counterweight plate	0370 0528b
37		
38	Spring	0005 0103b
39		
40		

41	Grip	0005 0192b
42	Handle	0370 0645
43	Cover cap	0370 0333
44	Cable cover	0370 1382
45	Front plate	0370 0718
46	Profile bar	0370 0746
47	Belt holder	0370 1504
48	Clamp metal	0370 1505
49	Tothbelt	0370 1514
50		
51	Interface ground weld	0370 0752
52	Interface cover	0370 0765
53	Corrugated hose	0007 0024e
54		
55		
56		
57		
58	Spacer kit only to use for "V"	0370 0850
59		
60	Kit "free stand Installation"	0370 0900
61	Support triangle	0370 0905a
62	Support triangle	0370 0905b
63	Thread bar	0370 0909
64	Cover weld	0370 0910
65	Top weld	0370 0920
66		
67	Spiral potentiometer	0006 0598c
68	Tothbelt wheel	0370 1513
69	Potentiometer cable	0370 1516
70		
71	Brake disk package	0370 1055
72	Rope curve disk	0370 1101
73	connection rope	0370 1105
74		
75	Micro switch assembled	0370 1115
76	Slit cover	0370 1120
77		
78	Catch complete	0359 0850
79	Switch cam cranked	0370 1083
80	Switch cam	0370 1084
81	Brake metal complete	0359 0782
82	Pull spring	0370 1232
83	Sheath	0370 1226
84	Rope	0370 1227
85	Round grip short	0370 1352
86	Handle round	0370 1378
87		
88	Retaining plate "VK"	0370 1375
89	Retaining plate "V"	0370 0661
90		
91	Cover cap	0370 0669
92	Pressure switch with lamp	0006 0661a

93	Telecommunications lamp	0006 0662a
94		
95		
96	Patient rest	0960 0702
97		
98	Patient stretching rest	0960 0710
99	Axle assembled	0960 0716
100	Rack	0960 0538
101	Retaining metal weld	0960 0725
102	Insert element	0960 0714
103		
104		
105	Zero degree stop cpl.	0370 1180
106		
107		
108	Babyx holder cpl.	0960 0755