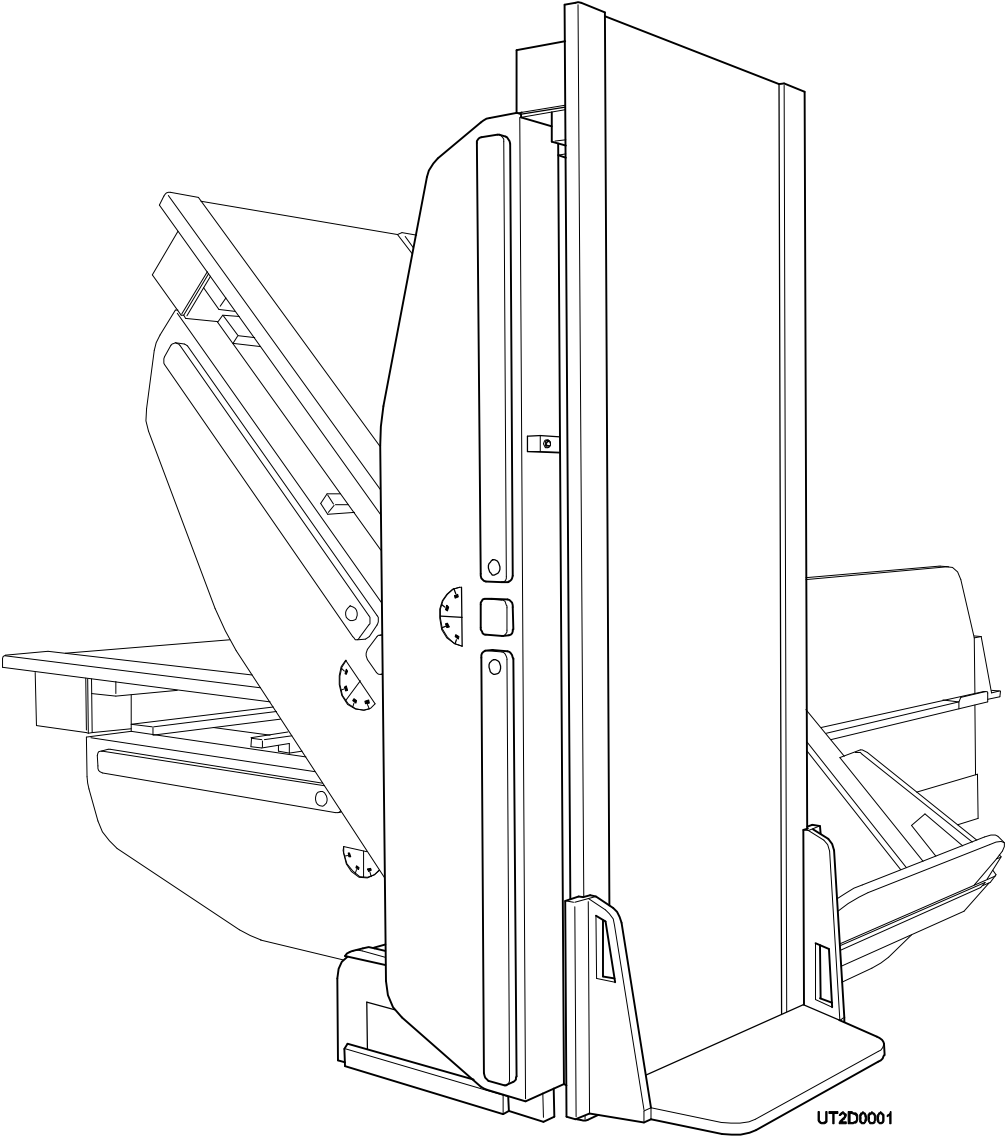


Operating Instructions UT 2000-Digital



UT 2000 Digital

Foreword

Congratulations on your purchase of the *UT 2000 digital table*, designed and manufactured by **PAUSCH technologies**. The design of the Table is based upon suggestions from medical experts in the ECC. The *UT 2000 digital X-ray table* represents our effort to combine the suggestions of medical experts to produce a quality product to support better health care throughout the world.

Regardless of how well a piece of equipment is designed, misuse or abuse will deny its owner the safe, efficient, quality service expected. Often misuse or abuse occurs unintentionally, simply because the proper method of operating the equipment is unknown. This manual provides you with the information required to properly operate your UT 2000 Digital.

This Operating Manual is made for experts. It should relieve, to know and learning about the *UT 2000 digital* and use its designated operation possibility.

Important hints are included in this manual to operate the UT 2000 digital safe, proper and economic. Her observance helps avoiding hazards and maintains long-time performance of the *UT 2000 digital*.

Keep this operator manual at hand on location for future reference. Each person working with the equipment should study this manual carefully e. g.

- **Operating**, including set-up, trouble shooting during work procedures, care, disposal of maintenance and waste materials,
- **Maintenance** (service, Inspection, maintenance) and/or
- **Transportation** including mounting and Installation by the manufacturer or other service agents.

Copyright

The copyright of this manual remains at **PAUSCH technologies**.

This manual is only intended for the owner of this equipment and his staff.

This manual contains requirements and hints, which are not complete or in part to be

- Copied
- Distributed or
- Otherwise should be acquainted.

Violation may be subject to prosecute consequences.
All rights reserved.

Contents

| | | |
|----------|---|-----------|
| 1 | General Safety Instructions | 4 |
| 1.1 | Warning Statements and Symbols | 4 |
| 1.2 | Principle of proper use | 4 |
| 1.3 | Warranty and Liability | 5 |
| 1.4 | Organizational Measures | 5 |
| 1.5 | Staff selection and –qualification; general duties | 6 |
| 1.6 | Safety Instructions / Normal operation | 6 |
| 1.6.1 | Maximum table load | 7 |
| 1.7 | Special work within the limits of use of the unit and maintenance procedures as well as trouble shooting during work disposal | 7 |
| 1.8 | Instructions to distinctive hazards | 8 |
| 1.8.1 | Electrical Energy | 8 |
| 1.8.2 | Radiation | 8 |
| 1.8.3 | Disinfection and other chemical Substance | 9 |
| 1.8.4 | Mechanical Safety | 10 |
| 1.8.5 | Pinch points | 10 |
| 1.8.6 | Conformance per IEC 601-2-32 | 10 |
| 1.8.7 | Compatibility | 11 |
| 2 | Technical Data UT 2000 digital | 12 |
| 2.1 | Dimensions, Weight, Connection data and ratings | 12 |
| 2.2 | Environmental Conditions for Operation | 13 |
| 2.3 | Emission | 13 |
| 2.4 | Table movements | 13 |
| 3 | Description | 14 |
| 3.1 | General | 14 |
| 3.2 | Application | 14 |
| 3.3 | Constructional Features | 15 |
| 4 | Operating | 16 |
| 4.1 | Arrangement / Table movements / Signs - Function | 16 |
| 4.1.1 | Table movements / Meaning of Symbols - Function | 17 |
| 4.1.2 | Setting the Exposure Position | 20 |
| 4.1.3 | Accessoires (optional) | 22 |
| 5 | Maintenance | 25 |
| 5.1 | Operator's check list | 25 |
| 5.1.1 | Daily Checks | 25 |
| 5.1.2 | Weekly Checks | 25 |
| 5.1.3 | Acc. Radiation Regulations | 25 |
| 5.1.4 | Checks by customer service | 26 |
| 5.2 | Cleaning | 26 |
| 5.3 | Disinfection | 27 |
| 5.4 | Council Directive 93/42 EEC concerning medical devices, Article 12 | 28 |
| 5.5 | Name Plate Location | 29 |

1 General Safety Instructions

1.1 Warning Statements and Symbols

The following safety precautions in this Operating Instruction call attention to potentially dangerous conditions. These symbols for especially important tasks are used:



Note! Particular statements regarding the economical use of the *UT 2000 digital*.



Attention! Particular statements regarding commandment or interdiction for damage protection

Danger! Particular statements regarding commandment or interdiction for personal- or voluminous material damage.

1.2 Principle of proper use

The *UT 2000 digital* is manufactured according to the latest state of engineering and the acknowledge of general requirements for safety. Nevertheless when using the equipment hazards to body or live of the user or third parties respectively impairment of the *UT 2000 digital* and other material damage may accrue.

Use the UT 2000 digital only in technical proper condition as well as its designated use, safety- and aware of danger under observance of the operating instructions! Especially disturbance, which can affect the safety, must be eliminated immediately!

The *UT 2000 digital* is only build for stationary use. Other or over that exceeding use is considered as improper use. For hereby resulting damage the manufacturer will not take any responsibility. It will be the owner's risk only.

Proper use also means to pay attention to the operating manual as well as to follow up on inspections- and maintenance schedules.

This radiographic unit may only operated by persons who have the required technical understanding of radiation safety and who have been instructed in the use of the radiographic unit.

The user is always responsible for maintaining regulations that apply for operation of the radiographic unit.

1.3 Warranty and Liability

Basically our „general sales and terms of delivery“ are valid. The user when signing the contract knows these. Warranty and liability claims by person- and material damage are excluded when one or more of the following causes can be conducted:

- Improper use of the *UT 2000 digital* and its components
- Improper mounting, take in operation, operation and service of the *UT 2000 digital* and its X-ray equipment
- Operating the *UT 2000 digital* under unsafe condition or improper installed safety guards or protection device
- Not observing the notes in the operating instructions regarding transportation, storage, assembly, initial start up, operating, maintenance and preparation time of the *UT 2000 digital*
- Unauthorized constructional changes of the *UT 2000 digital*
- Unauthorized changes to the e.g. drive controls: power, pressure and rpm
- Inadequate observation of machine parts, which are subject to wear
- Improper performed repair
- Disaster cases thru foreign bodies and higher authority.

1.4 Organizational Measures

Keep this operating instruction handy in the *UT 2000 digital* examination room!

Additionally to this operating instruction legally specified rules or other regulation for accident prevention and environment protection must be observed!

Duties to such a degree can also be e.g. the handling with hazard material as well as making available or wearing personnel protective clothes.

Complete operating instructions for directions including supervision and duty of reporting under consideration internal particularity, e.g. regarding work organization, work procedures, employed personnel.

The operating personnel must have knowledge of the operating instruction prior to working with the equipment. Special attention must be given to the chapter „safety instructions“. It will be to late during work procedures. This also applies special for personnel who are not using the equipment every day e.g. up, service or other procedures with the *UT 2000 digital*.

At least on occasion a safe and endangered working of the personnel under observation of the operating instruction should be controlled!

As far as requires or as per regulation, personnel safety protection should be used!

UT 2000 Digital

Pay attention to all safety- and danger measures on the *UT 2000 digital* and keep them all in readable condition!

If safety related changes on the *UT 2000 digital* or its performance occur, shut off the *UT 2000 digital* immediately and report malfunction to the responsible authorities or person!

Never change or make safety related changes to the *UT 2000 digital*, which can affect the safety without approval of the manufacturer! This also counts for encasing or adjusting of safety devices.

Spare parts must comply to the manufacturers technical requirements. Use only original spare parts for best replacement.

Never make any changes to programs (software) or programmable control systems!

Routine service or maintenance should be carried out as described in the operating manual

1.5 Staff selection and –qualification; general duties

Only reliable and trained personal may operate or work on/with the *UT 2000 digital*. Observe the legal admissible minimum age!

Use only instructed and trained personnel determine responsibility of the personnel for operating, preparation, service, and maintenance!

Make sure that only authorized personnel is working with the *UT 2000 digital*!

Personal, which must be trained, instructed, or trainees who make a general on-the job training must only work with the equipment under permanent superintendence!

Only electro technician should work on the electrical components of the *UT 2000 digital* and according to the electro technical regulations.

1.6 Safety Instructions / Normal operation

Omit any safety related work procedures!

Take action to keep the *UT 2000 digital* always in safe and functional condition!

Manage to run UT 2000 digital only with all safety guards and safety related protection functionally and in place e.g. emergency stop and safety switch brackets!

Check once a day the *UT 2000 digital* upon visual damage! Report all unnormal variance (including operational performance) right away to the authority or person in charge. Shut off the *UT 2000 digital* immediately!

At functional disturbance turn off the *UT 2000 digital* *at once and save condition*! Have interruption repaired!

Prior to turn on the equipment make sure that nobody will be in danger!

1.6.1 Maximum table load



Attention!

Never apply more weight to the table as its intended max. patient load. The table could be damaged over long time operation and consequently representing danger to the operator and patient.

The maximum table load for the UT 2000 digital including footrest is 159 Kg (349.8 lbs.)

1.7 Special work within the limits of use of the unit and maintenance procedures as well as trouble shooting during work disposal.

To assure maximum performance and to reduce the risk of malfunctions, an effective preventive maintenance program as outlined in the installation instruction for the table, should be implemented by the user and maintained by qualified service and operating personnel.

Prior to start with service, maintenance or repair work informs all operating personnel name a supervisor!

At all work concerning operation or adjustments of the *UT 2000 digital* and its safety related measures as well as inspection, service and repairs must be performed according to the notes and description in the operating and installation manual.

Keep service area restricted if necessary!

If the *UT 2000 digital* is completely shut down for service or repair make sure that nobody can turn on the unit unexpected.

- remove the key from mains supply and/or
- put up a warning sign on mains switch.

For exchanging single parts or bigger components always use a hi jack or similar device and secure the parts safely so there will be no danger. Use only suitably and technical faultless lifting devices that have the required lifting force! Never work or stay under hover loads!

UT 2000 digital, and here especially connections bolted joints at the beginning of service or repair must be cleaned from grease or cleaning products! Never use aggressive cleaning agents! Always use cotton cloth!

After cleaning remove all protection covers or adhesives used!

After cleaning check all electrical cables for damage, loose connectors, abrasion spots! Detectable deficiencies must be solved immediately!

After service or maintenance tighten all connections!
Install all removed safety devices and check function!

Make sure when disposing waste materials that it will be done properly and under environmental conditions!

1.8 Instructions to distinctive hazards

1.8.1 Electrical Energy

Use or replace only original fuses with the correct rated value! In case of malfunction or electrical power shut off the *UT 2000 digital* immediately!

This equipment may only be used in rooms, which comply with the relevant legislation and recommendations concerning electrical safety in rooms used for medical purposes, e.g. VDE 0107 Standard. The equipment is not suitable for use in the presence of flammable gases or vapor.

Work on electrical installation or machinery may only be carried out by electrical experts or by instructed person under control and supervision of an expert and according to the electro technical rules.

1.8.2 Radiation



Danger!

Personnel may have severe injury thru radiation!

Never use the x-ray equipment in case of electrical, mechanical or x-ray failures. This also counts for failures on displays-, warning- and alarm equipment.

If the user wants to combine the x-ray equipment to other equipment, components or assemblies other than described in the section „Compatibility“ and this possibility cannot be seen from the technical data, he must ensure that the safety of the patient as well as of operating personnel is not adversely affected by the intended combination by contacting us as manufacturer or by consulting a technical expert.

- It must be sure that prior to make x-ray exposures all necessary safety measures are observed for the patient and operator.
- The unit has not switch for initiate radiation
- The general radiation safety regulations must be observed.
- We also recommend:
 - Keep the tube voltage (kV) and mAs value as low as possible.
 - Collimate always to the smallest radiation field.
 - Maintain the max. possible distance.
 - Do not make any changes to existing locks where an unintentional release of radiation is prevented.

Experts may only remove shields and covers for service.

UT 2000 Digital

1.8.3 Disinfection and other chemical Substance

The method of disinfection used must conform to the legal regulations and guidelines regarding disinfection and explosion protection.

Never use any corrosive, solvent or gaseous disinfectants.

If you use disinfectants, which form explosive mixtures of gases, these must first evaporate before switching on the x-ray equipment.

1.8.4 Mechanical Safety

Please pay attention that the table movements trap neither the patient nor yourself and that no parts of clothing are caught by it.

Remove all objects from the table movement area so no collision can take place.

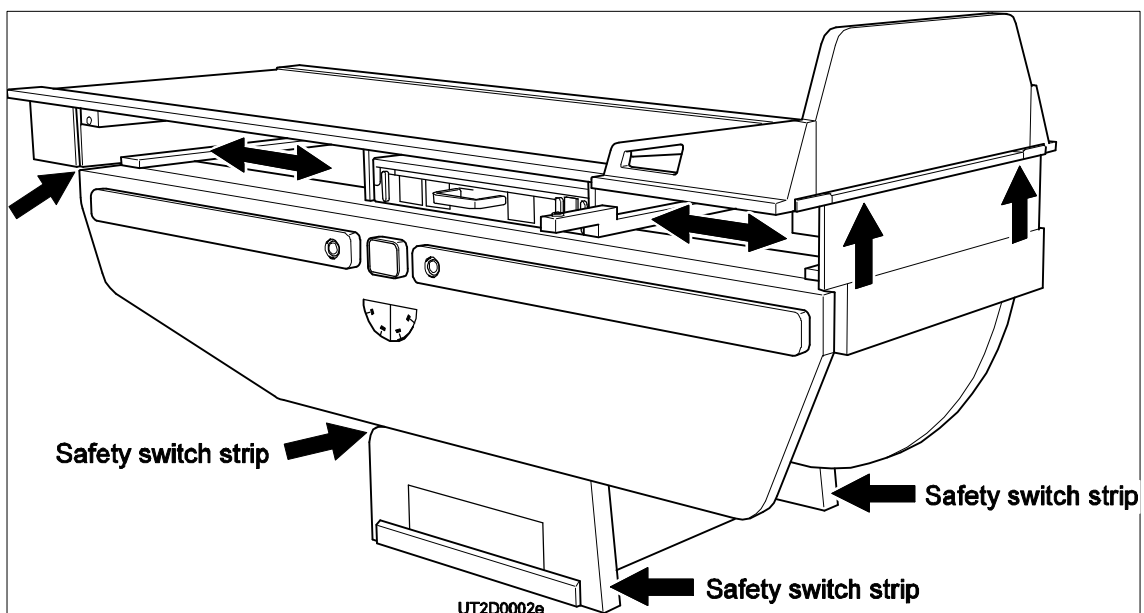
The unit has 3 safety switch strips as shown in the illustration below. If safety switch strips are actuated the tilting motion of the table will stop at once.

1.8.5 Pinch points



Danger!

The following sketch indicates dangerous locations where patient or operator can be injured or pinched. Please pay attention that neither the patient nor yourself get pinched or hurt in this area.



1.8.6 Conformance per IEC 601-2-32

The associated equipment model *UT 2000 digital* meets the requirements of IEC 601-2-32.

1.8.7 Compatibility

Detector drawer or Bucky carriage with a weight up to 55 Kg can be build into the table. All accessories descript in this manual can be used with the table. If the user wants to combine this table with other equipment or components he must make sure or consult us as manufacturer or an expert that safety of the patient or operating staff and the environment is not affected by the proposed combination.

The user is responsible adhere to the DIN EN60601-1-1.

Risk analysis

According to the conducted risk analysis this product is classified to be safe whereby it can not excluded, that a hitherto unknown remaining risk anymore can exist.

EC Conformance

This radiological unit meets the general requirements according to the specifications of the EC Guideline 93/42 of the Council for Medical Products per Article 11, Section 3 and to the procedure listed in Appendix II.

The CE - Mark applies only for the product without X-ray components.

Additional information can be obtained by request from:

PAUSCH technologies
Hans Pausch GmbH & Co.
Quality Insurance Dpt.
Postfach 28 60
D-91016 Erlangen
Fax: +49 9131 99 24 22
E-mail: info@pausch.de

Electromagnetic Compatibility (EMC) acc. EN 60601-1-2

The unit meets: the Collateral Standard of Electromagnetic compatibility – Requirements and tests EN 60601-1-2 (IEC 601-1-2) the limits and methods of measurement of electromagnetic disturbance characteristic of industrial, scientific and medical radiofrequency equipment EN 55011 Group 1, Class B,
- the limits and methods of measurement of radio interference characteristics of household electrical appliances, portable tools and similar electrical apparatus EN 55014.

Classification per IEC 601-1

The equipment is classified an marked according to the type of protection against electric shock as CLASS I Equipment and according to the degree of protection against electric shock as TYPE B Equipment.



UT 2000 Digital

2 Technical Data UT 2000 digital

The UT 2000 digital table model, serial number and date of manufacturing are listed on the name plate which is located on the back side of the table base (see also labeling overview on page 29 of this manual).

This information should be copied below in the space provided and include date of installation and installing company. This will provide you with ready information should you require service, replacement parts or optional accessories.

Model-No.: _____
Serial-No.: _____
Date of MFR: _____
Date of Installation: _____
Installing Company: _____
Address: _____
Phone No.: _____

2.1 Dimensions, Weight, Connection data and ratings

For the connection and operation of the *UT 2000 digital* the following dimensions, weights, connection data and ratings must be observed:

| | |
|-----------------------|---------------|
| Required floor space: | 3,3 m x 1,5 m |
| Table height max.: | 2,3 m |
| Weight | 430 kg |

Electric

The system is equipped for single-phase alternating current with fixed installation. The unit is prepared for solid installation with an all poled separation from power (IEC 601, Chap. 57.1) Without transformer; the system corresponds to nominal ratings as follows:

| | |
|--------------------|-----------------------------------|
| Operating Voltage: | 1N, 115/200/208/230/240 V AC± 10% |
| Frequency: | 50/60 Hz |
| Installed Load: | 1200 VA |
| Rated current: | 10 / 5,8 / 5,4 / 5 / 4,8 (A) |

The mains connection requires a 30 mA circuit breaker to be installed by the customer. The electrical installation must meet the relevant legislation, e.g. VDE 0107, IEC/SC 62A. To be in compliance with EMC regulations a separate ground wire of at least 6mm² must be made between UT2000 digital/PE1 and mains outlet.

UT 2000 Digital

Al - Equivalent

The aluminum equivalent value for the table top is $\leq 0,7$ mm.
According to:
DIN EN 60601-1-3 with 100 kV and HWS 3,7 mm Al and
FDA 21 CFR § 1020.30 (n) with 100 kV and HWS 2,7 mm Al.

2.2 Environmental Conditions for Operation

| | |
|----------------------------|---------------------|
| Ambient temperature range: | 10° C to 40° C |
| Relative humidity: | 20% to 80% |
| Atmospheric pressure: | 700 hPa to 1100 hPa |

2.3 Emission

- Disposal

Gather information from the authorities before placing the system in operation about all applicable disposal regulations.
Care about proper environmental utilization!

- Oil, Lubricants

Used oil and lubricants are extremely dangerous to the environment. They never must get into the sewerage or soil. Dispose oil, grease and therewith-polluted materials only at recycling stations.

- Unit (UT 2000 digital)

Before removing the *UT 2000 digital* from service make plans for a sort out disposal.
Separate steel-, non- metallic material and plastic
Lubricants and oil and therewith-polluted materials as well as cables and electrical components must be separately disposed.

2.4 Table movements

| | |
|---|-------------------------------|
| Tilting range of the table: | +89° to 15° |
| Lateral movement of the table top: | ± 12 cm |
| Longitudinal movement of the table top: | 60 cm foot end; 40cm head end |
| Film-Skin-Distance, min.: | 7 cm |

3 Description

3.1 General

The fully developed construction of the *UT 2000 digital* provides the patient with a high degree of comfort when positioned on the table as well as optimal operation for the user through its specific details as:

- Motor-operated tilting table from 89° vertical position to -15° Trendelenburg position
- Easy lateral movable table top from ± 12 cm in any table position
- Floating table top in horizontal position
- Electromagnetically locks for the table top with a longitudinal movement of 60/40 cm
- Ergonomically designed control elements.

The unit is suitable for adaptation of digital detectors or Bucky carriage, which manually can be moved under the table top in longitudinal direction and is electromagnetically locked. The electromagnetically lock is operated via push button switch in the control handle. The minimum film-skin-distance of 7 cm assures best geometric exposures conditions. The low radiation-absorbing table top has the effect of reducing the dose. The brake for the lateral movement of the table top can be operated with the foot pedal near the floor.

All necessary power supplies for table operation are built into the table base so that additional electronic cabinets are not needed.

3.2 Application

The extensive movement freedom of the table and table top, paired with easy handling makes the *UT 2000 digital* a general purpose work station, both in the clinical field as well as in private practice. The *UT 2000 digital* is excellently suitable as a comfortable compact digital workstation, e.g.

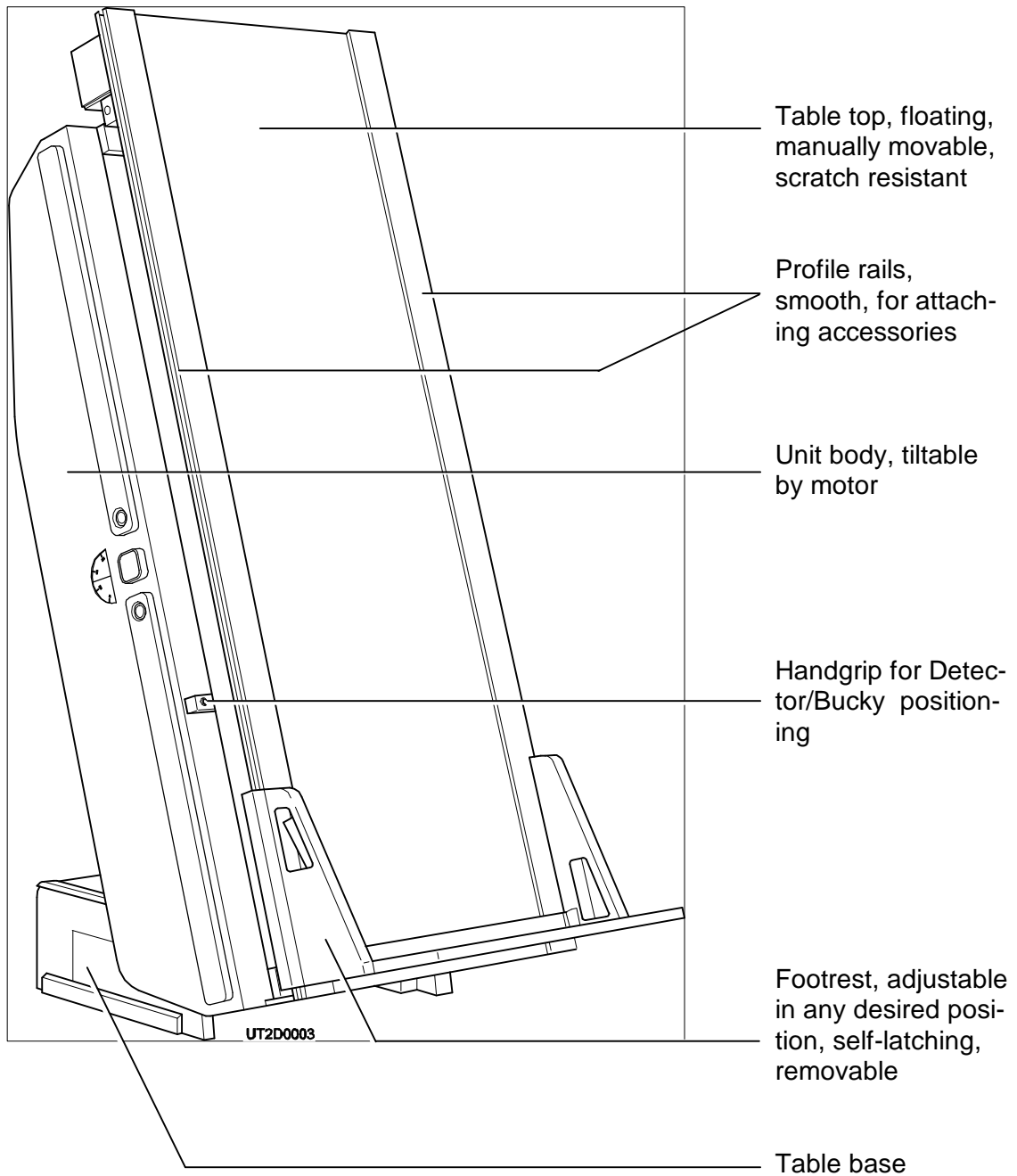
- **in vertical position:** as a fully digital or Bucky stand for all digital or film exposures performed on a standing or sitting patient.
- **in horizontal position:** as a Bucky table for all routines performed on a reclining patient
- for standard exposures as well as for trauma logical exposures.
- **in Trendelenburg position or as a diagnostic unit:** for special oblique angle examinations that are performed without fluoroscopy.

This versatility gives the *UT 2000 digital* an excellent advantage over conventional Bucky exposure tables.

Among other things, it eliminates the need for a wall stand and thus permits the unit to be operated especially economically.

UT 2000 Digital

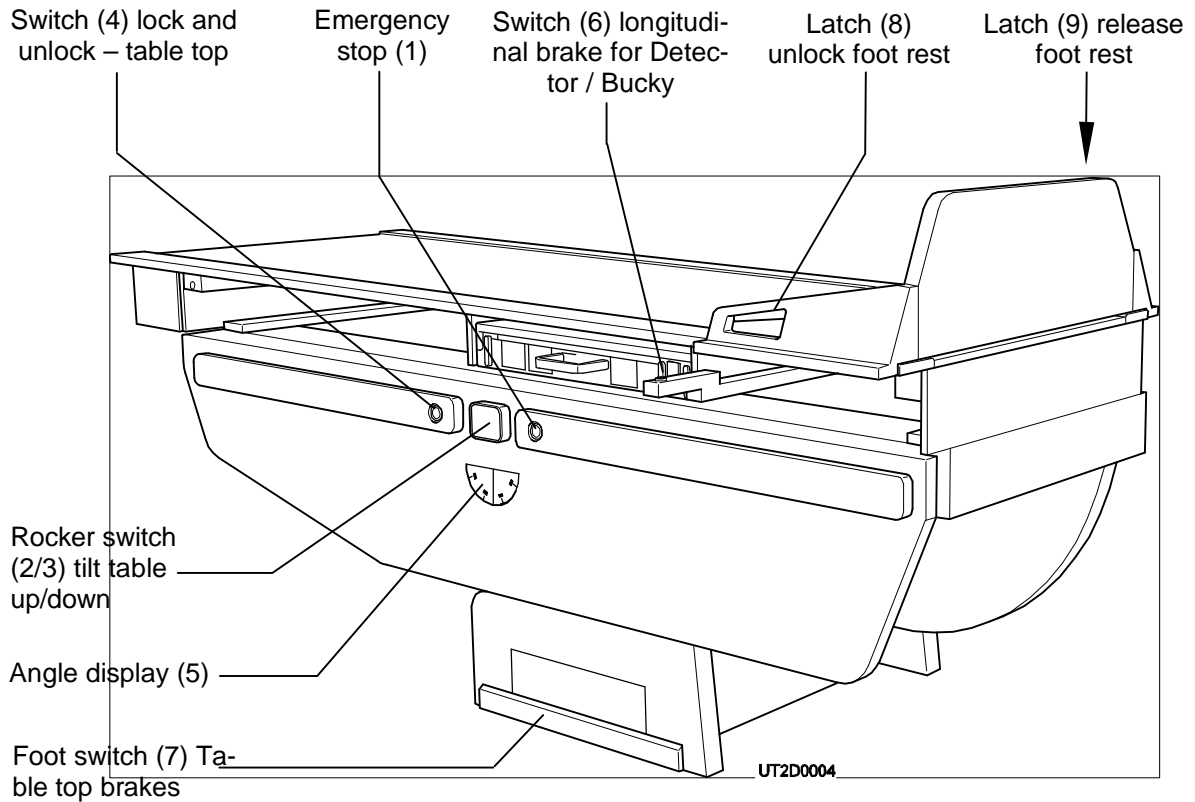
3.3 Constructional Features



UT 2000 Digital

4 Operating

4.1 Arrangement / Table movements / Signs - Function



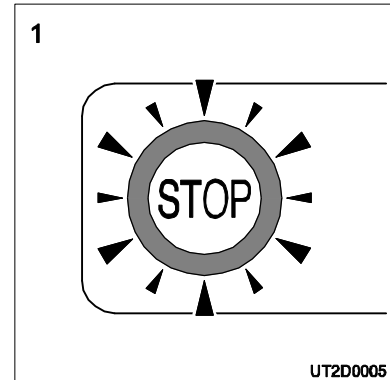
4.1.1 Table movements / Meaning of Symbols - Function

Emergency Stop 1 „press“

The emergency stop switch when pressed will stop table movements immediately of the *UT 2000 digital* at any kind of danger or malfunction!

The tilt motor will be shut of.

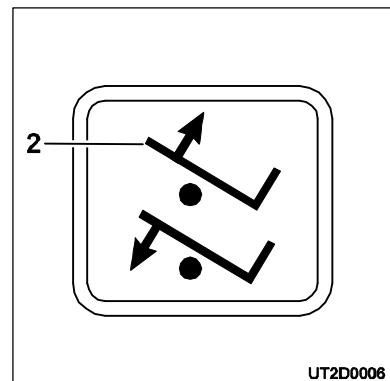
Press emergency switch again to resume table motions after eliminating the danger.



Rocker switch 2 – raise table

To raise table. Automatic stop in horizontal position (0°-position) and in end position (+89°).

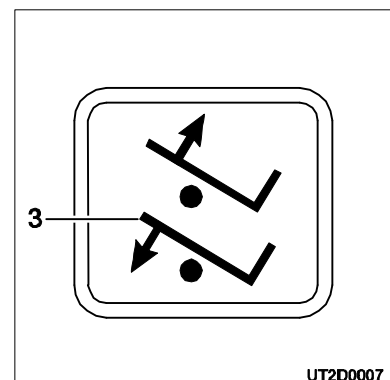
To continue movement out of horizontal position: release rocker switch 2 and press it again. The tilting movement is only possible if the table top is locked.



Rocker switch 3 – Tilt Down Table

To tilt down the table. Automatic stop in horizontal position (0°-position) and in the end position (-15°).

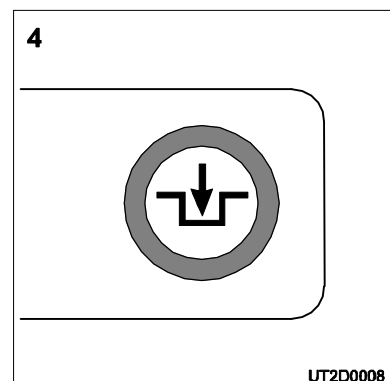
To continue movement out of horizontal position: release rocker switch 3 and press it again. The tilting movement is only possible if the table top is locked



Switch 4 Lock table top

For automatic engagement and latching of the table top only in horizontal position of the table (0°- position).

Manually slide table top to head or foot end until centering latches engaging. If centering latches snatch after a short delay the table top will automatically be latched. After that the table can now be tilted.



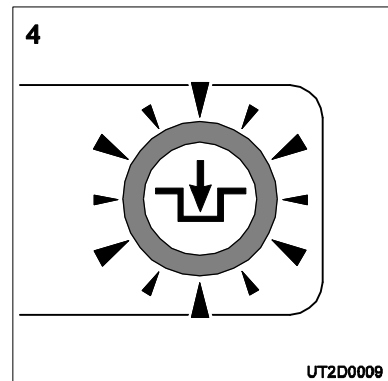
UT 2000 Digital

Switch 4 Unlock table top

To disengage the latch for manual movement of the table top in longitudinal direction with table in horizontal position (0°-position).

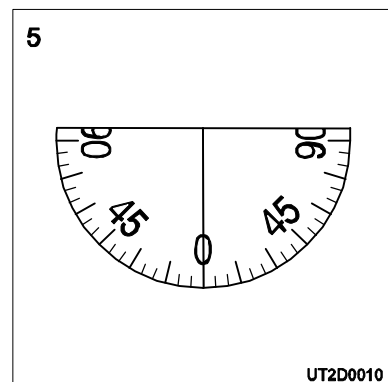
The positioning of the table top in lateral direction is maintained unchanged.

Longitudinal travel range: 60/40 cm.



Angle Indicator 5

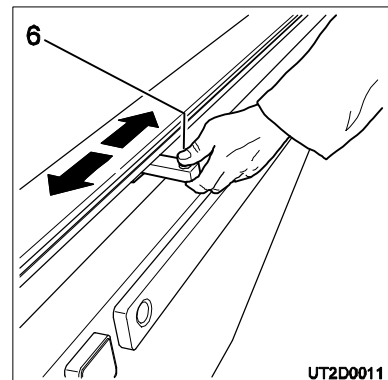
To set/reproduce a defined unit position for comparative examinations.



Switch 6 – Longitudinal Brake for Detector or Bucky

To release the electrical brake for longitudinal movement of Detector or Bucky.

The switch 6 must be pressed and held while moving the carriage. Releasing the push button causes the carriage to be held automatically in the new working position.

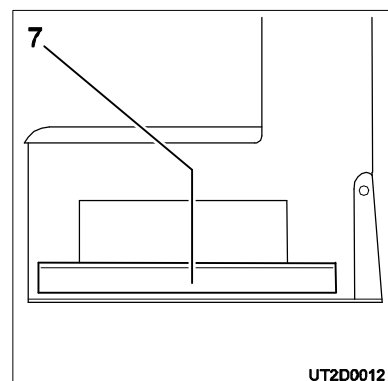


Foot switch 7 Table top brake

To release the brake for manual, „floating“ movement of the table top with table in horizontal position (0°-position).

And: to release the brakes for manual, lateral movement of the table top while the table is in Trendelenburg position or vertical at 89°.

Lateral table top movement: ± 12 cm.



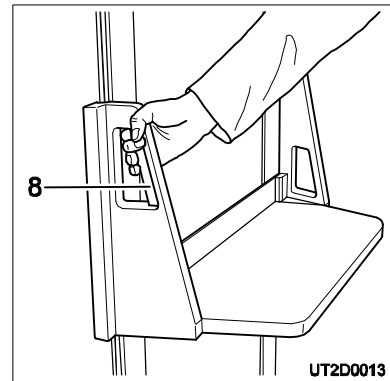
UT 2000 Digital

Latch 8 – Unlock Footrest

To unlock the footrest.

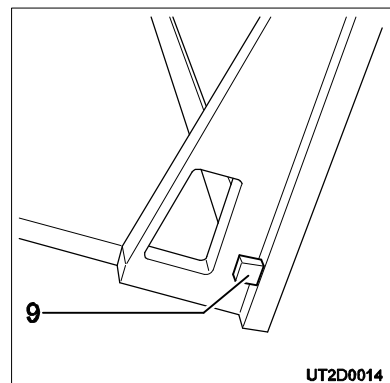
As long as the latch in the footrest is pressed the footrest can be moved in longitudinal direction.

Releasing the latch results in automatic engagement in the new working position.



Latch 9 Removing the footrest

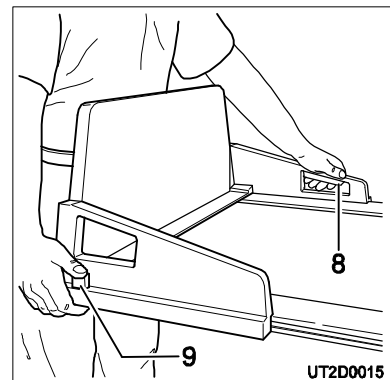
Latch for removing the footrest. If both latches 8 and 9 are pressed and held pressed the footrest can be removed from the profile rails at the foot end.



Removing the Footrest

Move unit to horizontal position (0°-position).

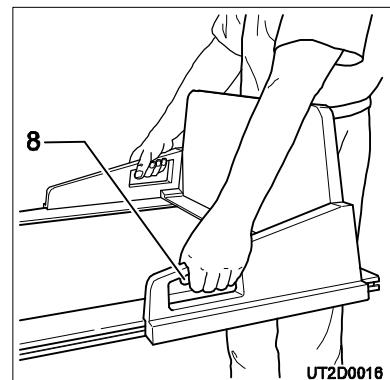
Press latch 8 with your left hand and release latch 9 with your right hand. The footrest can now be removed from the table and lie down.



Installing the Footrest

Move table to horizontal position (0°-position).

Lift up footrest as shown and press latch 8. Slide it parallel into the profile rails until latch 9 engages in place.



4.1.2 Setting the Exposure Position

Tilting the table up/down, moving, centering the table top

Tilting the table up/down

Rocker switch **3**: tilt down table

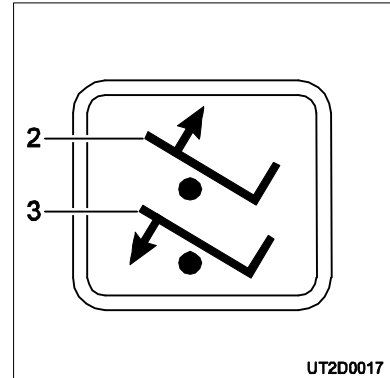
Rocker switch **2**: tilt up table

Press rocker switch **2** or **3** and hold it until desired working position is reached. Release the switch.

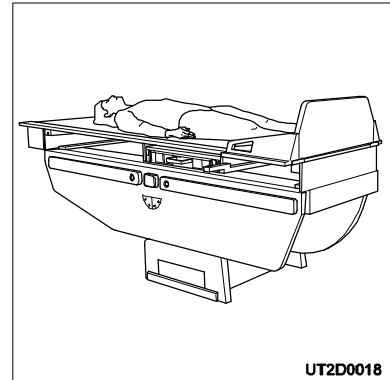


Note!

Only if table top is locked (switch 4 lights up), the table can be tilted up/down. In 0°-position the tilting movement is automatically interrupted.



Positioning the patient



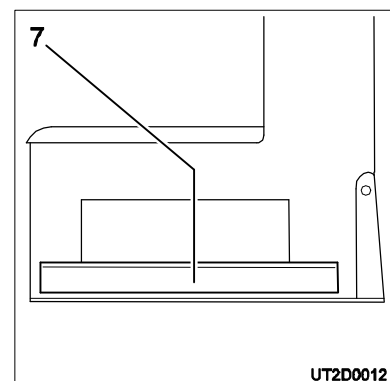
Moving the table top in lateral direction

Press foot switch **7** and hold it, move table top in lateral direction and release foot switch when in desired position



Note!

The table top can be moved in lateral direction with the table in any position.



UT 2000 Digital

Unlock the table top in longitudinal direction

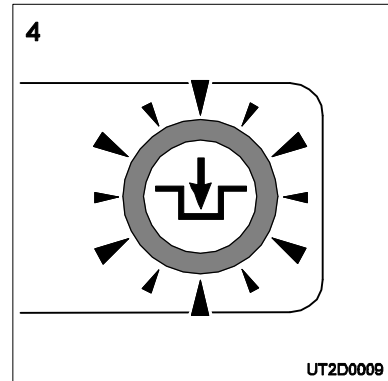
Move table in 0°-position (horizontal position automatic stop!) Press switch 4 in the bumper strip. The table top can now be moved in longitudinal direction.

The tilting movement of the unit is blocked if the table top is not in locked position.



Note:

Only in the exact 0°-position (horizontal position) the table top can be unlocked.



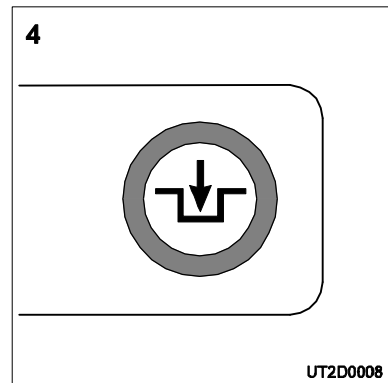
Engaging/Centering the table top

To engage the table top in horizontal position press switch 4 in the bumper strip, move table top to the head or foot end until table top is latching. After a short delay the table top will be automatically locked.



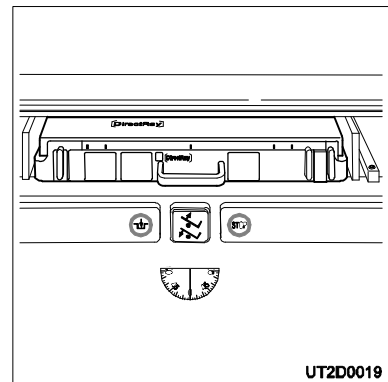
Note

When latching the table top the longitudinal brake is released.



Move Detector/Bucky in Exposure Position

Please observe manufacturer's instructions.



4.1.3 Accessoires (optional)

The following accessories are released and can be used with the *UT 2000 digital*

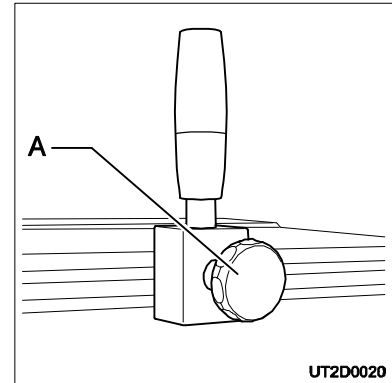
Patient hand grip Ordering-No.: 0903 0000

The patient handgrip serves as a means of locating the patient's hand away from the table edges and to give the patient a feeling of security. They can be locked in place in any position.



Warning!

Squeezing of fingers and hands when gripping around the table top edge! The positioned patient may only hold on to the handgrips. In no case may he put his hands around the edge of the table top



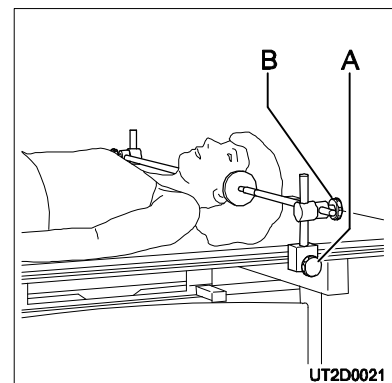
Head Clamp Ordering-No.: 0920 0022a/b

The head clamp is used in connection with the adapter part 0920 0040 to secure the patient's head in place.

The head clamps are slid into the side rails of the table top and can be locked in place in any position using hand screw **A**.

Hand screw **A**: Fix the holder to table top in the profile rails

Hand screw **B**: Position patient's head



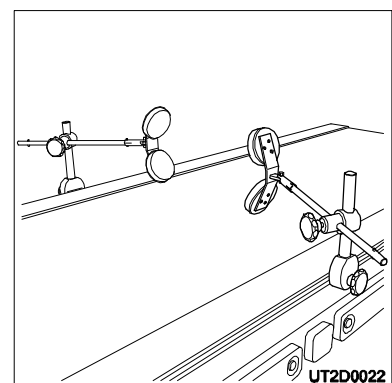
Hip Clamp Ordering-No.: 0920 0018

The hip clamp is used in connection with the holder 0920 0040 to fix the patients hip in place.

The hip clamps are slid into the side rails of the table top and can be locked in place in any position using hand screw **A**.

Hand screw **A** Fix the holder to table top in profile rail

Hand screw **B** Position patient's hip



UT 2000 Digital

Compression Belt Device Ordering-No.: 0902 0030

The compression belt device is used to fix the patient in place and decrease the body mass to limit scattered radiation for better image exposures.

Mounting: Slide in the compression belt holder **B** into the wall-side profile rail in the table top and fasten in place using hand screw **C** in working position.

Insert compression device assembly **A** into the front rail opposite belt holder **B** and fasten in place using knob screw **C**.

Press the release latch **F**. Unroll the belt and stretch it across the patient.

Wrap the belt around the metal rod of the holder **B**. Insert the metal bar **D** on the end of the compression belt into the slot **G**

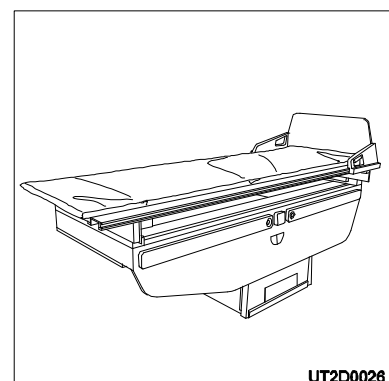
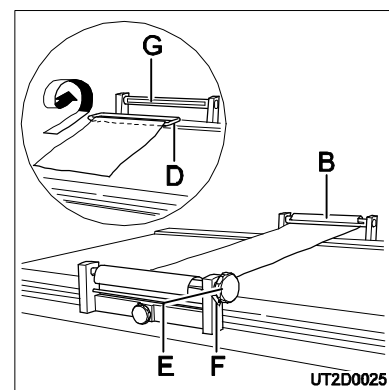
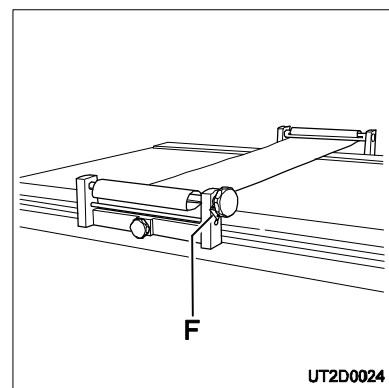
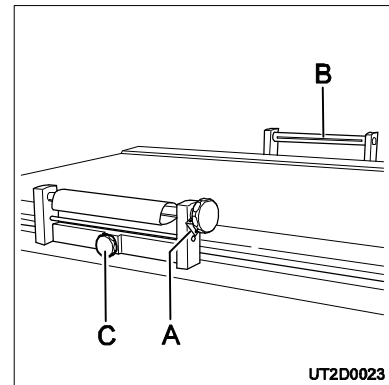
Use tightening knob **E** to tighten the compression belt.

To release the belt

Press ratchet lever **F**, unroll the compression belt and remove it.

Patient's Mattress Ordering-No.: 0622 0570 a

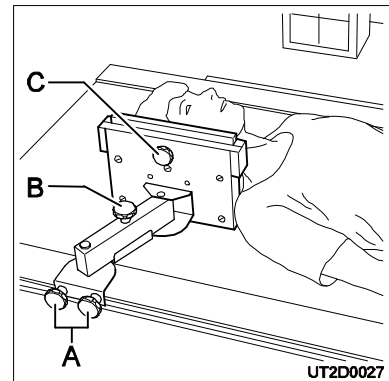
The patient's mattress is used for comfort positioning the patient on the table.



UT 2000 Digital

Lateral Cassette Holder Ordering-No.: 0930 0000
Use the lateral cassette holder to take lateral views of the patient. The cassette holder slides onto the front side rail of the table top. Rotate the tube arm 90° and angle the x-ray tube to point in lateral direction.

- Handscrews A: Lock the holder to table rail.
- Handscrew B: Swings the holder to exposure position.
- Handscrew C: Loosens the cassette clamp and locks the cassette in place.



5 Maintenance



Note!

Like any other technical equipment, this radiographic unit and its accessories requires a regular maintenance and care to ensure the operating reliability of the unit.

5.1 Operator's check list

The user must check the radiographic unit and accessories for deficiencies as described below.

If there are functional or other deficiencies from normal operating behavior switch the unit off immediately and contact customer service.

The unit may be put back into operation only after all deficiencies have been corrected.

5.1.1 Daily Checks

Check indicator lamps, angle display, emergency off switch, switch table top locked, function of foot rest, footswitch, markings and warning labels as well as good condition of all visible parts.

5.1.2 Weekly Checks

Check all cables and connections for damage or broken cables.

5.1.3 Acc. Radiation Regulations

Constant test § 16

5.1.4 Checks by customer service

Only a manufacturer-authorized representative may perform maintenance and repair.

To maintain trouble-free operation of the unit as well as to ensure safety for patients and operating personal, technical maintenance should be performed by customer service in 12- month intervals.

See chapter "*Technical Maintenance*" in the mounting instructions.



Caution!

If there is a failure of parts that may affect the safety of the unit, original spare parts must be used.

We also recommend that written verification of the type and extent of work performed be requested from the person performing the work, and if applicable, including changes to nominal data or of the operating range, and with date, company name and signature.

5.2 Cleaning



Caution!

Switch the system off prior to cleaning it.

The plastic surfaces may be cleaned only with soapy water because other agents (e.g. containing alcohol) can dull the finish and cause it to become brittle. No caustic, solvent or abrasive cleaners or polishes may be used.

Water or any other liquid may not get into the inside of the unit because this can cause short-circuits in the electrical installation and to avoid corrosion of parts.

Painted parts and aluminum surfaces may only be wiped down with a damp cloth and wiped dry with a cotton cloth.

Chromed parts may only be wiped down with a dry cotton cloth.

5.3 Disinfection



Note!

Only those disinfection methods that correspond to applicable regulations and guidelines as well as to explosion protection measures may be used.



Caution!

No caustic, solvent or volatile disinfectants may be used!!



Danger!

If you use a disinfectant that can form an explosive gaseous mixture, they must have evaporated before the system is switched on again!!

- All parts of the X-ray equipment, including the accessories and connecting cables may be disinfected by wiping only.
- Spray-disinfection is not recommended because the disinfectant may enter the equipment.
- If you perform room disinfection with an atomizer, you must switch off the X-ray equipment first. When the X-ray equipment has cooled down, cover it carefully with a plastic sheet. When the mist of disinfectant has subsided you can remove the plastic sheets and disinfect the X-ray equipment by wiping.

The following disinfectants can be used:

- Mild soapy solution
- Misty Multi-Purpose Disinfectant Cleaner - Amrep Inc.
- Misty Multi-Purpose Disinfectant Cleaner II - Amrep Inc.
- Misty Disinfectant and Deodorant RTU - Amrep Inc.
- Virex II 256 - Johnson Professional
- Tego 1103
- Kosolin

5.4 Council Directive 93/42 EEC concerning medical devices, Article 12

Particular Procedure for Systems and Procedure Packs.

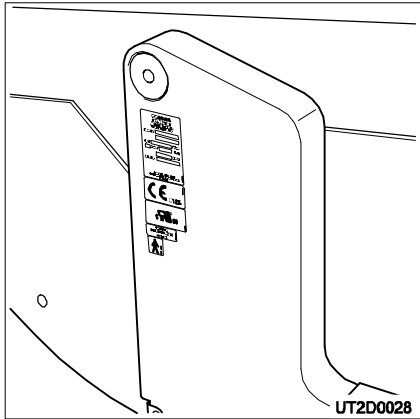
- (1) By way of derogation from Article 11 this Article shall apply to systems and procedure packs.
- (2) Any natural or legal person who puts devices bearing the CE marking together within their intended purpose and within limits of use specified by their manufacturers, in order to place them on the market as a system or procedure pack, shall draw up a declaration by which he states that:
 - a) he has verified the mutual compatibility of the devices in accordance with the manufacturers instructions and has carried out operations in accordance with these instructions:
and
 - b) he has packaged the system or procedure pack supplied relevant information to users incorporating relevant instructions from the manufacturers:
and
 - c) the whole activity is subjected to appropriate methods of internal control and inspection.

Where the conditions above are not met, as in cases where the system or procedure pack incorporate devices which do not bear a CE marking or where the chosen combination of devices is not compatible in view of their original intended use, the system or procedure pack shall be treated as a device in its own right and such be subjected to the relevant procedure pursuant to Article 11.

The user is responsible for observance and enforcement of the national deviations in the European Economic Community.

UT 2000 Digital

5.5 Name Plate Location



1. Name plate

PAUSCH
technologies

Graf-Zeppelin-Str. 1
 D-91056 Erlangen

Type

Fabr.Nr.

Datum

Spanng. Volt

Frequenz Hertz

Strom Ampere

Made in Germany

UT2D0029

Name plate

PAUSCH LLC

808 Shrewsbury Avenue
 Tinton Falls, NJ 07724-3002

Model No.

Serial No.

Input Voltage

Phases Hertz

Amperes

Date Mfg.

This product complies
 with applicable standards
 under "21 CFR Sub-Chapter J"

Made by PAUSCH technologies
 Graf-Zeppelin-Str. 1 91056 Erlangen
 Germany

UT2D0030

2. CE-lable



UT2D0031

3. UL-lable



UT2D0033

4. Inherent Filtration

Eigenfiltration
 (INHERENT FILTRATION)
 = 1,0 mm AL

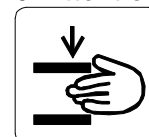
UT2D0034

5. Typ B



UT2D0035

6. Attention! Crash zones



UT2D0036

Specifications are subject to change without notice.